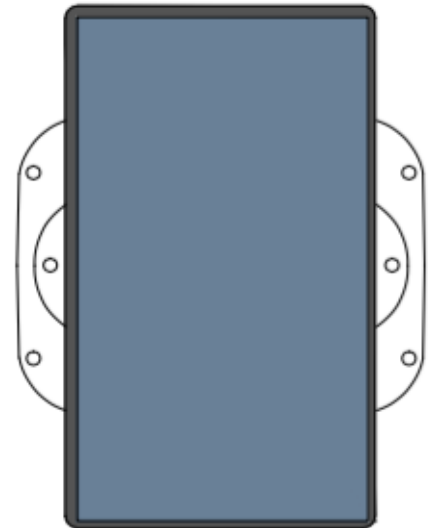


NOFIQ FMD I/O

Module I/O for NOFIQ FE100 and NOFIQ FMD network management and relay input output management

Features

- Alarm management card from Nofiq FE100 and FMD
- Network management up to a maximum of 7 Nofiq FE100 or FMD units connected with physical address assigned by dip-switches 1 to 7
- RS-485 network communication
- Composition of a modular system for applications where interfacing with existing detection systems or remoting of alarms with free voltage contacts is required.
- Possibility to power the unit with power supply of 12Vdc or 24Vdc 1A
- Possibility to connect an external manual activation button
- Remoting alarms and faults to external parts
- Easy installation inside cabinets



Inputs and outputs

- 3 inputs:
 - AUTOMATIC/MANUAL function connection
 - Manual activation button connection
 - Test function connection for maintenance
- 3 relay outputs
 - fire pre-alarm
 - fire alarm
 - generic fault

Description and Application

Nofiq FMD I/O is a network management card composed by Nofiq FE100 or FMD units up to a maximum of seven. RS-485 connection with Nofiq FE100 and FMD units allows to realize a modular system to check electrical switchboards composed by more units, for example. In the network, Nofiq FMD I/O is a Master compared to Nofiq FE100 and FMD cards. This condition allows to manage the extinction in automatic/manual mode or only manual mode, by activating the special input. Nofiq FMD I/O unit can be powered with an external power supply of 12 Vdc or 24 Vdc 1A. The card case has fins with surface fixing holes.

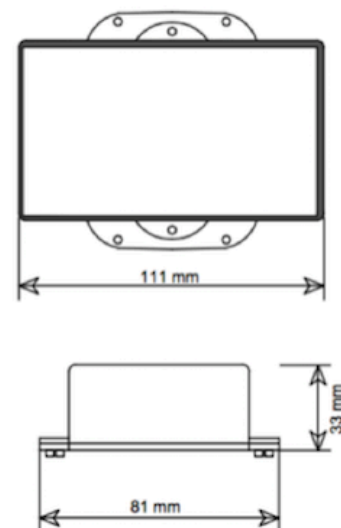
NOFIQ FMD I/O

Technical Specifications	
Dimensions (mm)	111x81x33
Weight (Kg)	0,125 Kg
Material	PVC
Mounting	Surface
Protection Class	IP 44
Operating Temperature	From -6°C to + 60°C
Storage Temperature	From -20°C to + 60°C
Power supply	12 Vdc or 24 Vdc 1A
Power absorption	500mA
Potentiality	Network of 7 FE100 or FMD cards
Communication input	1 RS-485 serial input for each network
Inputs	1 connection for external manual activation button 1 connection for MAN/AUTO selector 1 test function connection for maintenance
Outputs	1 alarm signal relay 1 pre-alarm signal relay 1 fault signal relay

Electronic card



Dimensions (mm)



Product Name	Description
NOFIQ FMD I/O	Modulo I/O – Alarms and network management unit